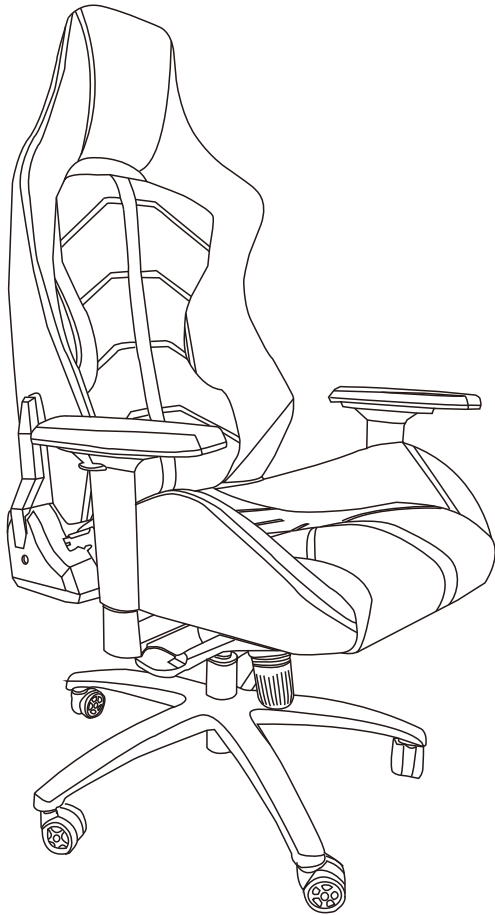


XI

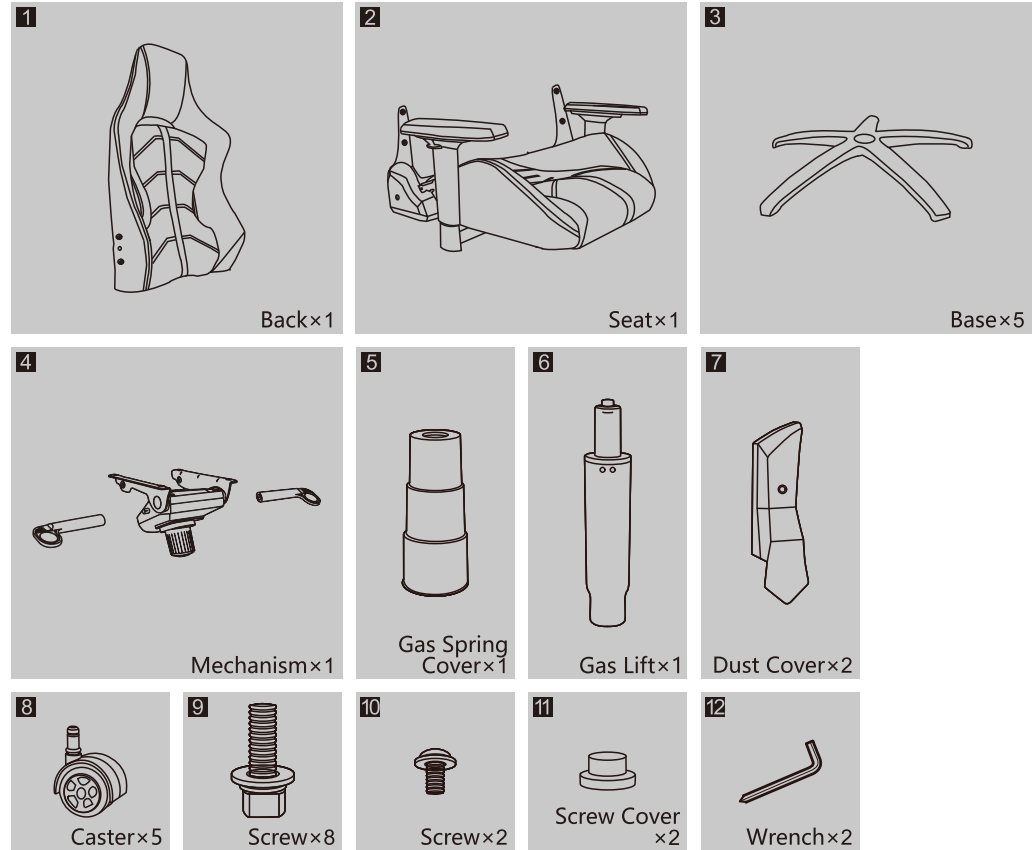
1STPLAYER GAMING CHAIR
USER MANUAL 说明书



• CAUTIONS / 注意

1. Keep away from fire, direct sunlight and wet environment./ 请避免火灾，阳光直射和潮湿的环境。
2. Do not put the chair on a high or unstable place, in case of falling down./ 请勿将椅子放在高处或不稳定的地方，以免跌落。
3. Be aware of the kids when they are climbing the chair./ 请注意小孩在椅子上攀爬。
4. Be aware of the natural loosen of the bolts after long-time using, avoid sharp things scratch the chair. / 长期使用后请注意螺栓的自然松动，避免尖锐的东西划伤椅子。

• ACCESSORIES / 配件

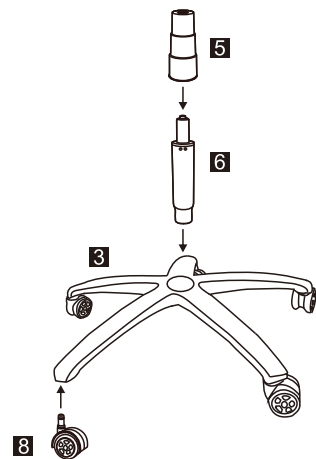


• MOUNTING DIAGRAM / 安装图

STEP 1 / 步骤一

Install part 5, part 6 and part 8 in the part 3.

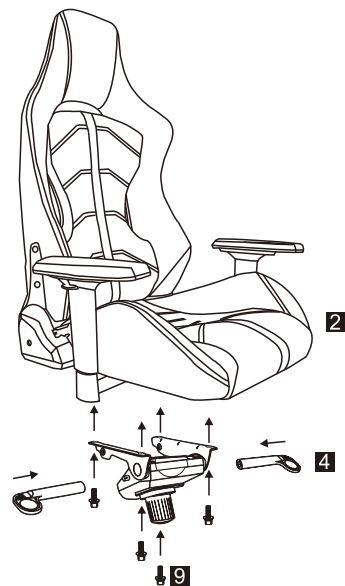
在椅脚上安装椅轮，气压棒和气压棒盖。



STEP 2 / 步骤二

Lock part 2 and part 4 with part 9 together, and make sure the bolts are screwed in tight. Install the handles and push them to the bottom.

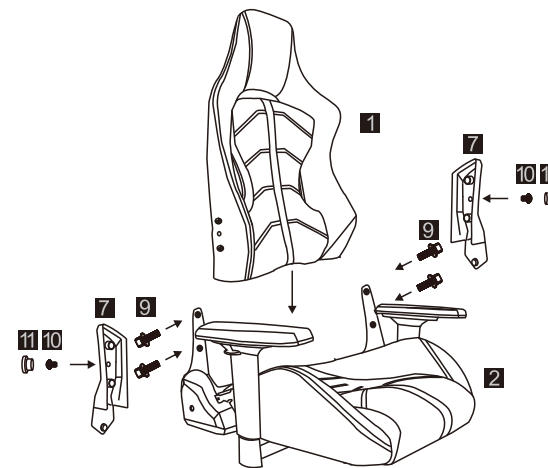
用螺栓将底盘和座椅锁定在一起，并确保螺栓拧紧。安装把手并将它们推到底部。



STEP 3 / 步骤三

Put the part 1 and part 2 together, the left and right sides which need aim at the bolts holes, then lock with part 9. Attach the lower snap button, cover the part 7, lock part 10 into the hole on part 7, and then attach the part 11 on it.

把靠背和坐垫放在一起，对准左右两侧的螺栓孔后锁上螺栓。锁好螺栓后套上防尘套，先连接下部按钮，将螺栓锁定到防尘套孔中，然后将螺栓盖安装在其上。



STEP 4 / 步骤四

Aim at the top of gas lift and the hole of mechanism, then put the chair body down.

对准气压棒顶部和底盘孔，然后将椅体放下。

